

Oct 1986 -
Sep 1987



DEPARTMENT OF THE ARMY
HEADQUARTERS, 73D SIGNAL BATTALION
APO NEW YORK 09189

ASE-X-KAP

2 February 1987

SUBJECT: Annual Historical Review FY1986

Director
U.S. Army Military History Institute
U.S. Army War College
Calisle Barracks, Pennsylvania 17013-5008

Enclosed is a copy of the 73d Signal Battalion Annual Historical Review for your records.

FOR THE COMMANDER:

DAVID E. TIGHE
1LT, AG
Adjutant

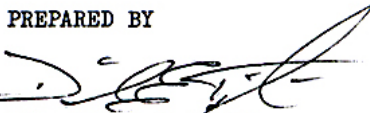


73D SIGNAL BATTALION
ANNUAL HISTORICAL REVIEW

FY 1986

1 OCTOBER 1985 TO 1 SEPTEMBER 1986

PREPARED BY



2LT, DAVID E. TIGHE
S-1/ADJUTANT

APPROVED BY



LTC ROBERT J. LIDDELL
COMMANDER

73D SIGNAL BATTALION
NARRATIVE SUMMARY

THROUGHOUT FISCAL YEAR 1986, WHICH SAW THE UNITS ORGANIZATION AND MISSION CHANGE DRASTICALLY, THE 73D SIGNAL BATTALION CONTINUED TO PROVIDE TOP QUALITY SERVICE TO ITS CUSTOMERS IN THE RHEINLAND-PFALZ AREA OF THE FEDERAL REPUBLIC OF GERMANY (FRG).

THE ADVENT OF THE FISCAL YEAR SAW THE IMPLEMENTATION OF PHASE III OF THE INFORMATION MANAGEMENT ALIGNMENT (IMA) AND THE BATTALION GAINED THREE ADJUTANT GENERAL DATA PROCESSING UNITS (ACDPU) - 4TH AGDPU (PIRMASENS), 7TH AGDPU (KAISERSLAUTERN) AND 9TH AGDPU (ZWEIBRUECKEN). ALSO THE BATTALION ADDED ARFAS IN AUTOMATION AND INFORMATION SERVICES WHEN IT ASSUMED OPERATIONAL CONTROL AND RESPONSIBILITY FOR THREE DATA PROCESSING INSTALLATIONS (DPI'S) AT PIRMASENS, ZWEIBRUECKEN, AND KAISERSLAUTERN (FRG) AND THE COMMANDER, 73D SIGNAL BATTALION BECAME DIRECTOR OF INFORMATION MANAGEMENT FOR RHEINLAND-PFALZ, FRG.

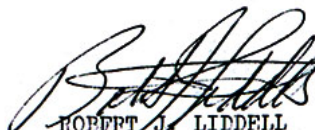
IN ADDITION TO THE ORGANIZATIONS GAINED THROUGH IMA, THE BATTALION SAW MANY TECHNOLOGICAL ADVANCES, WHICH INCREASED ITS CAPABILITY TO PROVIDE QUALITY SERVICE TO THE CUSTOMERS. SOME IMPORTANT TECHNOLOGICAL IMPROVEMENTS WERE: THE INSTALLATION OF MOD 40 TELETYPE TERMINALS AT THE PIRMASENS TELECOMMUNICATIONS CENTER (TCC), INSTALLATION OF THE NETWORK DATA CONTROL SYSTEMS (NDCS) COMPUTER AT DONNERSBERG AND ACTIVATIONS OF THE DIGITAL EUROPEAN BACKBONE (DEP II) AT THE LANDSTUHL SITE. ALSO, INFORMATION CENTERS WERE ESTABLISHED IN KAISERSLAUTERN, ZWEIBRUCKEN AND PIRMASENS TO PROVIDE END USERS TRAINING IN THE TOOLS (SOFTWARE AND HARDWARE) AVAILABLE.

THE PRIMARY REASON FOR THE BATTALION'S SUCCESSFUL ACCOMPLISHMENTS DURING THE YEAR WAS THE MORALE AND PROFESSIONALISM DISPLAYED BY THE SOLDIERS. NUMEROUS AWARDS WERE WON BY UNITS FOR OUTSTANDING PERFORMANCE AND INDIVIDUAL ACHIEVEMENTS WERE ALSO AT A HIGH (THESE CAN BE FOUND IN THE CHRONOLOGICAL HISTORY OF THIS REVIEW).

AS THE YEAR DREW TO A CLOSE THE BATTALION, WHILE PREPARING FOR THE IMPLEMENTATION OF PHASE IV OF IMA AND THE OCTOBER EXODUS, WAS FOUND TO BE SATISFACTORILY PERFORMING ITS MISSION WHEN IT WAS INSPECTED BY THE 5TH SIGNAL COMMAND ANNUAL GENERAL INSPECTION.

FISCAL YEAR 1986 WAS AN EXTREMELY SUCCESSFUL YEAR AND THE SOLDIERS OF THE 73D SIGNAL BATTALION STAND TALL AND PROUD AS THEY HAVE ONCE AGAIN UPHOLD THE BATTALION'S MOTTO OF

PRIDE - PROFESSIONALISM - PERFORMANCE!



ROBERT J. LIDDELL
LTC, SigC
Commanding



MISSION STATEMENT

A. PLAN, DIRECT AND SUPERVISE ACTIVITIES OF SUBORDINATE UNITS ENGAGED IN THE ARMY'S PORTION OF THE DEFENSE COMMUNICATIONS SYSTEM (DCS) AND POST, CAMP AND STATION COMMUNICATIONS. PROVIDE INFORMATION MANAGEMENT SERVICES IN THE AREA OF AUTOMATED DATA PROCESSING SUPPORT, AUDIO VISUAL, RECORDS MANAGEMENT, AND PUBLICATIONS AND PRINTING, BOTH FIXED AND TRANSPORTABLE FOR COMMUNITIES AND COMMANDS LOCATED PRIMARILY IN THE RHEINLAND-PFALZ OF THE FEDERAL REPUBLIC OF GERMANY.

B. OPERATE AND MAINTAIN A NATIONAL COMMAND AUTHORITY (NCA) STATION, AN AUTOMATIC DIGITAL NETWORK (AUTODIN) SWITCH, AND AUTOMATIC VOICE NETWORK (AUTOVON) SWITCH IN THE 73D SIGNAL BATTALION'S AREA OF RESPONSIBILITY.

C. OPERATE AND MAINTAIN THE ARMY-OWNED, FIXED SATELLITE EARTH TERMINALS AT LANDSTUHL, FRG.

D. OPERATE A DEFENSE SATELLITE COMMUNICATIONS SYSTEM OPERATIONS CENTER (DCSSOC) LANDSTUHL.

E. OPERATE AND MAINTAIN THE ARMY'S PORTION OF THE EUROPEAN WIDEBAND COMMUNICATIONS SYSTEM (EWCS) IN THE 73D SIGNAL BATTALION'S AREA OF RESPONSIBILITY.

F. OPERATE AND MAINTAIN ALL US ARMY DIAL CENTRAL OFFICES THROUGHOUT THE 73D SIGNAL BATTALION'S AREA OF OPERATION.

G. OPERATE AND MAINTAIN COMMUNICATIONS CENTERS FOR THE KAISERSLAUTERN, ZWEIFRUECKEN, MIESAU, AND PIRMASENS MILITARY COMMUNITIES.

H. OPERATE AND MAINTAIN THE EUROPEAN GATEWAY MARS STATION AT LOHNSFELD.

I. PROVIDE TELEPHONE MAINTENANCE SUPPORT FOR NATO COMMON FUNDED SITES IN THE RHEINLAND-PFALZ AREA.

J. EVALUATE AND MONITOR THE REPAIR OF MILITARY AND COMMERCIAL LEASED LINES IN THE RHEINLAND-PFALZ AREA.

K. PROVIDE MAINTENANCE SUPPORT TO 5 NBST (NARROWBAND SUBSCRIBER TERMINAL) IN THE RHEINLAND-PFALZ AREA.

L. MAINTAIN EUROPEAN COMMAND CONTROL CONSOLE SYSTEM TERMINAL AT PIRMASENS, FRG.



M. PROVIDE INFORMATION MANAGEMENT SERVICES AND SUPPORT AS DIRECTED BY THE COMMANDER, 2D SIGNAL BRIGADE AND COMMANDER, 5TH SIGNAL COMMAND.

N. PROVIDE ON-LINE, INTERACTIVE SUPPORT TO THE 21ST SUPCOM STAFF AND SUB-ELEMENTS.

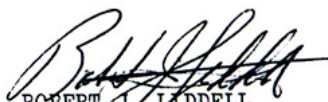
O. PROVIDE AUTOMATIC DATA PROCESSING SERVICES SUPPORT FOR ON-LINE TRANSACTION ENTRY, RECYCLE EDITING, AND CORRECTION. ON-LINE COPY AND AUTOMATED OFFICE ADMINISTRATION TO 21ST SUPCOM, SUB-ELEMENTS AND SOME REMOTE COMMUNITIES OUTSIDE RHEINLAND-PFLAZ.

P. PROVIDE AUTOMATIC DATA PROCESSING SERVICES SUPPORT FOR INFORMATION SERVICES TO INCLUDE SOFTWARE, STAMPS AND COMMAND-UNIQUE BATCH PROCESSING, LOCAL AND WIDE AREA NETWORK SUPPORT, OFFICE AUTOMATION INSTALLATION AND TRAINING, AND INTERACTIVE TERMINAL SUPPORT TO ALL POD ELEMENTS IN THE ZWEIBRUECKEN REGION.

Q. PROVIDE INFORMATION CENTER SUPPORT TO ARMY USERS IN THE KAISERSLAUTERN, ZWEIBRUECKEN, AND PIRMAESEN COMMUNITIES.

R. PROVIDE CTASC MOBILE AID TO SUPPORT THEATRE ARMY COMBAT SERVICE SUPPORT ACTIVITIES IN KAISERSLAUTERN, ZWEIBRUECKEN AND PIRMAESEN, UTILIZING THE MULTIPLE VIRTUAL STORAGE (MVS) OPERATING SYSTEM.

S. DIRECT AND SUPERVISE SUBORDINATE COMMANDS.


ROBERT J. LIDDELL
LTC, SFC
Commanding



73D SIGNAL PATTALION
KEY PERSONNEL

TITLE/INCUMBENT

COMMANDER, 73D SIGNAL PATTALION

LTC ROBERT J. LIDDELL

EXECUTIVE OFFICER

MAJ RICHARD R NEUMANN

S-1/ ADJUTANT

CPT ANNEKE-JANS BOGARDUS

CPT RONALD L. PAIN

2LT DAVID E. TIGHE

S2/3 INTELLIGENCE & SECURITY/ OPERATIONS

CPT GARY WRIGHT

1LT THOMAS C. WILLIAMS

S4, LOGISTICS

CPT RAY Z. MEJIA

CW2 ROBERT PEERY

COMMANDER, HHD, 73D SIGNAL PATTALION

1LT ERIC WINTERS

1LT WILLIAM TRUMPLER

COMMANDER, 267TH SIGNAL COMPANY

CPT BRIAN D. HARPER

COMMANDER, 270TH SIGNAL COMPANY

CPT SUSAN C. DAVIS

COMMANDER, 298TH SIGNAL COMPANY

CPT RICHARD R DILLON

COMMANDER, 327TH SIGNAL COMPANY

CPT EUGENE L. POMCS

CPT GREGORY STUMP

INCUMBENCY

9 JULY 85 - PRESENT

15 JAN 85 - PRESENT

2 JUNE 85 - 1 MARCH 86

1 MARCH 86 - 14 JULY 86

14 JULY 86 - PRESENT

14 APR 86 - 15 SEPT 86

15 SEPT 86 - PRESENT

14 JAN 84 - 24 FEB 85

24 FEB 85 - PRESENT

26 JULY 85 - 4 AUG 86

4 AUG 86 - PRESENT

28 JAN 85 - PRESENT

5 JUNE 85 - PRESENT

1 MAY 85 - PRESENT

10 DEC 84 - 16 MAY 86

16 MAY 86 - PRESENT

73D SIGNAL BATTALION
KEY PERSONNEL (CONT'D)

TITLE/INCUMBENT

COMMANDER, 4TH AGDPU

CW2 GERHARD LIELEGOTT
CPT RAY Z. MEJIA

COMMANDER, 7TH AGDPU

MAJ CARROLL B. WHEELDON
1LT JEFFERY EILLS

COMMANDER, 9TH AGDPU

CPT JAMES HIXSON

CHIEF, ADP SVC CTR, ZEM

MR. ROBERT ODENTHAL, GM14

CHIEF, ADP SVC CTR, KLN

MR. WILLIAM YORK, GM14

INCUMBENCY

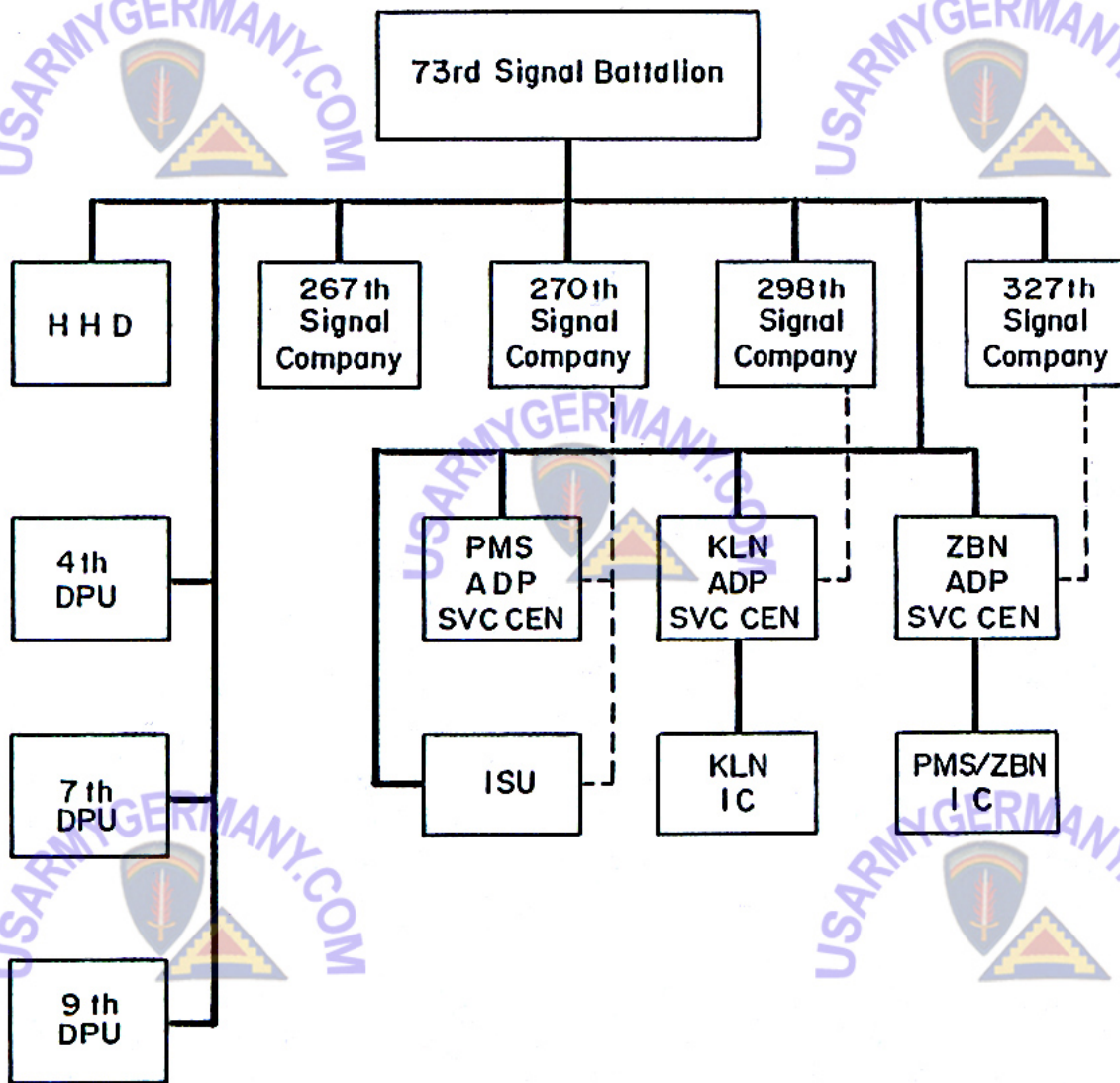
10 OCT 85 - 24 FEB 86
24 FEB 86 - PRESENT

1 OCT 85 - 12 SEPT 86
12 SEPT 86 - PRESENT

1 OCT 85 - PRESENT

JUN 76 - PRESENT

JULY 78 - PRESENT



--*Admin/Log Spt until derivative UIC approved additional requirements to be addressed after Phase IV/V IMA Oct 86

Figure 2
Command Relationships

APPENDIX A

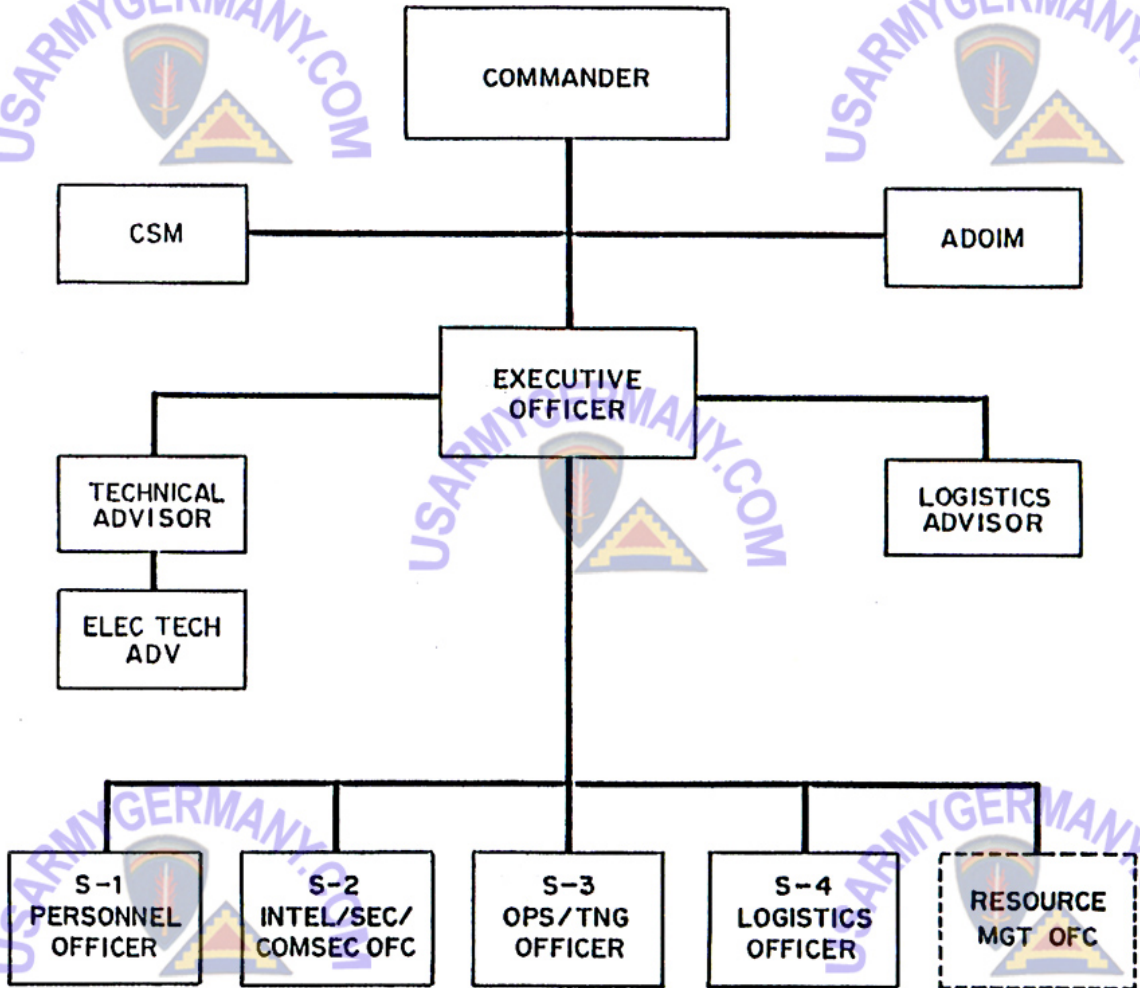


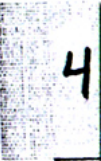
Figure 1

Headquarters and Headquarters Detachment

73D SIGNAL BATTALION

ANNUAL HISTORIAL REVIEW

CHRONOLOGICAL LISTING



OCTOBER 1985

THREE NEW UNITS WERE ASSIGNED TO THE BATTALION - THE 4TH ADJUTANT GENERAL DATA PROCESSING UNIT, THE 7TH ADJUTANT GENERAL DATA PROCESSING UNIT, AND THE 9TH ADJUTANT GENERAL DATA PROCESSING UNIT. ALSO, THE BATTALION ADDED AREAS IN AUTOMATION AND INFORMATION SERVICES WHEN IT ASSUMED OPERATIONAL CONTROL AND RESPONSIBILITY TO DATA PROCESSING INSTALLATIONS (DPI'S) AT PIRMASENS, ZWEIBRUECKEN, AND KAISERSLAUTERN (FRG) AND THE COMMANDER, 73D SIGNAL BATTALION BECAME DIRECTOR OF INFORMATION MANAGEMENT (DOIM) FOR RHEINLAND-PFALZ, FRG. THE 267TH SIGNAL COMPANY ASSUMED THE MISSION OF THE USAFEUR TELECOMMUNICATIONS CENTER (TCC) AT PIRMASENS AND EXPANDED THE KEY SYSTEM AT 34TH GENERAL HOSPITAL IN MUENCHWEILER. THE DIGITAL-EUROPEAN BACKBONE (DEB II) WAS ACTIVATED AT THE LANDSTUHL DEFENSE COMMUNICATIONS STATION (327TH SIGNAL COMPANY). THE 327TH SIGNAL COMPANY TURNED OVER ITS COMMUNICATIONS CENTER (COMCENTER) AND DIAL CENTRAL OFFICE (DCO) MISSION IN BAUMHOLDER TO THE 232D SIGNAL COMPANY. THE BATTALION PROVIDED COMMUNICATIONS AND TACTICAL INTERFACE SUPPORT TO UNITS PARTICIPATING IN "ARIE ARCHER 86". THE 267TH SIGNAL COMPANY AND THE 270TH SIGNAL COMPANY EXHIBITED THEIR TENACIOUS SPIRIT BY WINNING THE 5TH SIGNAL COMMAND COMMANDING GENERAL TROPHY FOR MAINTENANCE EXCELLENCE AND BEING SELECTED AS CO-RUNNER UP RESPECTIVELY. SFC PAUL HULL, 73D SIGNAL BATTALION SENIOR RETENTION NCO, WAS RECOGNIZED FOR HIS OUTSTANDING ACHIEVEMENT BY PG CHILDS, 5TH SIGNAL COMMAND. THE LANDSTUHL SATELLITE SITE WAS VISITED BY THE CSM, FT. HUACHUCA, AZ, REPRESENTATIVES FROM THE DEFENSE COMMUNICATIONS AGENCY (DCA) OF WASHINGTON AND EUROPE; AND MR. BILL HARRISON, DCA WASHINGTON, OFFICIALLY COMMISSIONED THE DEFENSE SATELLITE COMMUNICATIONS STATION OVERSEAS CENTER (DSCSOC). CW2 GERHARD LIEBEGOTT ASSUMED COMMAND OF THE 4TH ACDFU; MAJ CARROLL B. WHELDON TOOK COMMAND OF THE 7TH ACDFU; AND CPT JAMES HIXSON ASSUMED COMMAND OF THE 9TH ACDFU. THE AUTOMATED DATA PROCESSING SERVICE CENTER (ADP SVC CTR) CHIEFS, ON TRANSFER, WERE MR. WILLIAM YORK (GM14, KAISERSLAUTERN) AND MP. ROBERT ODENTHAL (GM14, ZWEIBRUECKEN).

NOVEMBER 1985

THE 267TH SIGNAL COMPANY PROVIDED SUPPORT TO PRESIDENT REAGAN DURING HIS PRESIDENTIAL SUMMIT MEETING, TRIP TO NATO HEADQUARTERS, AND GENEVA. THE LOHNSFELD RECEIVER STATION RECEIVED A 2D SIGNAL BRIGADE CERTIFICATE OF ACHIEVEMENT FOR THEIR OUTSTANDING SUPPORT. EUROPEAN TELEPHONE SYSTEM (ETS) CUTOVER WAS COMPLETED AT FIRMASENS, MÜNCHWEILER, FISCHBACH, AND DARN BY THE 267TH SIGNAL COMPANY. AFTER HARD WORK BY UNIT PERSONNEL, THE 4TH AGDPU ACQUIRED AND MOVED INTO TWO BUILDINGS FOR USE AS THEIR UNIT HEADQUARTERS AND TROOP BILLETTS. THE AUTOMATED DATA PROCESSING SERVICE CENTER ZWEIBRUECKEN (ADP SVC CTR ZBN) SUCCESSFULLY COMPLETED A SYSTEM ACCEPTANCE TEST (SAT) WITH THE AUTOMATED SYSTEM FOR ARMY COMMISSARIATS (ASAC) WITH SATISFACTORY RESULTS. THE LANDSTUHL SATELLITE STATION (327TH SIG CO) RECEIVED A VISIT FROM REPRESENTATIVES OF THE DEFENSE COMMUNICATIONS AGENCY (DCA), WASHINGTON AND EUROPE.

DECEMBER 1985

THE DIAL SWITCH ASSISTANCE (DSA) SWITCHBOARD OPERATORS OF THE 267TH SIGNAL COMPANY WERE MOVED FROM ZWEIBRUECKEN TO FIRMASENS. CUTOVER TO PULSE CODE MODULATION 30 (PCM 30) FROM 2280 AND 600/750 WAS COMPLETED BY THE 267TH SIGNAL COMPANY. ETS CUTOVER IN ZWEIBRUECKEN BY THE 327TH SIGNAL COMPANY WAS COMPLETED. THE ADP SVC CTR ZEN CONDUCTED SUCCESSFUL TEST TO LINK THE MAIN COMPUTER SUPPORTING 200TH TAINMC WITH PERSONAL COMPUTERS AT V CORPS, VII CORPS, AND 21ST SUPCOM. THE INTEGRATED FACILITIES SYSTEM (IFS) WAS EXTENDED TO DIRECTOR OF ENGINEERING AND HOUSING (DEH) KAISERSLAUTERN BY THE ADP SVC CTR KLN.

JANUARY 1986

THE NATIONAL COMMAND AUTHORITY (NCA) STATION (267TH SIG CO) SUCCESSFULLY UNDERWENT AN EVALUATION BY THE 1815TH OPERATIONAL TEST AND EVALUATION SQUADRON (AFCC), WRIGHT PATTERSON AFB. THE 267TH SIGNAL COMPANY INSTALLED A NEW PHONE SYSTEM FOR AIR FORCE UNITS IN SALZBOG. THE 270TH SIGNAL COMPANY, 327TH SIGNAL COMPANY, AND 267TH SIGNAL COMPANY PROVIDED COMMUNICATIONS AND TACTICAL INTERFACE

SUPPORT TO UNITS PARTICIPATING IN REFORGER 86. AUTOVON STATION, DONNERSBERG (298TH SIG CO) ACTIVATED THE NETWORK DATA CENTRAL SYSTEM (NDCS). THE 9TH AG DPU DEPLOYED TO THE FIELD IN SUPPORT OF 200TH TAMPB DURING WINTEX 86. THE 4TH AG DPU, 7TH AG DPU, AND 9TH AG DPU RECEIVED ORDERS OF OFFICIAL ACTIVATION. THE UNITED STATES ARMY INFORMATION SYSTEMS COMMAND (USAISC) COMMANDING GENERALS TROPHY FOR MAINTENANCE EXCELLENCE WAS WON BY THE 267TH SIGNAL COMPANY. MCA STATION (267TH SIG CO) RECEIVED A 5TH SIGNAL COMMAND CERTIFICATE OF ACHIEVEMENT FOR RANKING FIRST, FROM APRIL TO DECEMBER 1985, OVER ALL MCA STATIONS WORLDWIDE.

FEBRUARY 1986

THE MCA STATION (267TH SIG CO) RECEIVED HIGH RATINGS FROM INSPECTIONS DURING A TECH EVALUATION CONDUCTED BY THE AIR FORCE SCOPE CRFFK INSPECTION TEAM. THE 298TH SIGNAL COMPANY DEACTIVATED ITS OLD ANALOG EQUIPMENT (AN/FRC 80 AND FCC-18 MUX). THE MCA SWITCH OF THE YEAR FOR FY 85 WAS AWARDED TO THE PIRMASSENS AUTOMATED SWITCHING CENTER (ASC). CW2 GERHARD LIEBECOTT RELINQUISHED COMMAND OF THE 4TH AG DPU TO CPT RAY Z. PEJIA.

MARCH 1986

THE 267TH SIGNAL COMPANY INSTALLED MOD 40 TELETYPE TERMINALS FOR R/Y CONSOLIDATION AND INSTALLED NEW PHONE LINES AND EQUIPMENT TO UNITS IN DAHM. THE MARS GATEWAY IN LOHNSFELD (267TH SIG CO) RECEIVED \$4000 FROM THE WORMS COMMUNITY FOR THE PURCHASE OF THREE NEW COMMERCIAL KENWOOD TRANSCEIVERS. THE 4TH AG DPU SUCCESSFULLY UNDERWENT A BATTALION COMMAND INSPECTION AND ACQUIRED A TEMPORARY MOTOR PARK. THE DATEX-Z SYSTEM BECAME OPERATIONAL BETWEEN THE ZWEIBRUECKEN AND KAISERSLAUTERN ADP SVC CTR'S; A SECOND LINE WAS MADE OPERATIONAL TO PIRMASSENS IN SUPPORT OF THE STANDARD ARMY INTERMEDIATE LEVEL SYSTEM-B (SAILS-B) DEPOT SYSTEM AND THE CENTRAL ACCOUNTING DIVISION (CAD) UNDER THE NONAPPROPRIATED FUNDS (NAF) SYSTEM. THE ADP SVC CTR KAISERSLAUTERN RECEIVED FORTY-THREE IBM 3178 DISPLAY UNITS, AND SIXTEEN IW 3287 PRINTERS; UNITS WERE NOT INSTALLED BECAUSE OF NONAVAILABILITY OF DISK SHORTAGE AND CONTROL DEVICES. COLONEL JOHN BARNETT, COMMANDER, 2D SIGNAL BRIGADE, VISITED THE ZWEIBRUECKEN DCO AND TCC SITES, THE LANDSTUHL DCO AND PCS SITES (327TH SIG CO).

APRIL 1986

THE ATTACK ON LIBYA AND THE THREAT OF RETALIATION BROUGHT THE BATTALION TO THREATCON RED AND THE COMMANDER-IN-CHIEF USAREUR AND 7TH ARMY ESTABLISHED A CURFEW OF 2400-0500 FOR ALL USAREUR COMMUNITIES. DCS STATION DOMFRSEBERG (298TH SIG CO) SITE WAS UPGRADED TO MEET PHYSICAL SECURITY REQUIREMENTS - BLAST WALLS, SECURITY FENCE, AND LIGHTING WERE INSTALLED. THE LANDSTUHL DCS SITE (327TH SIG CO) ACTIVATED THE DEFENSE COMMUNICATIONS AGENCY SATELLITE COMMUNICATIONS SYSTEM GROUND MOBILE FORCES CONTROL LINK (DGCL). FIRST STEPS TOWARD THE INSTALLATION OF LOGISTICS APPLICATIONS OF AUTOMATED MARKING AND READING SYMBOLS (LOGMARS) WERE MADE BY THE ADP SVC CTR KLN. THE ADP SVC CTR SBH CONDUCTED PROTOTYPE TEST OF THE CONCEPT OF PROVIDING PSEUDO-INTERACTIVE SUPPORT TO CORPS THEATER AUTOMATIC DATA PROCESSING SERVICE CENTER (CTASC) USERS IN THE FIELD WITH POSITIVE RESULTS. 4TH AG DPU ADOPTED "ADP ON WHEELS" AS ITS OFFICIAL UNIT MOTTO. CSM MANGLOHA, 5TH SIGNAL COMMAND VISITED THE ZWEIRUFCKEN DPI, MIFSAU DCO, ZWEIRUFCKEN TCC, LANDSTUHL DCO AND DCS SITES (327TH SIG CO). THE COMMANDER'S TROPHY WAS CLENCHED FOR HIM WHEN MEMBERS OF THE INTRAMURAL BOWLING LEAGUE (CW2 ROBERT PEERY, MSG BOB DRIGGERS, SFC WENDELL HUMPHREY, AND SFC POP HARNONIS) TOOK FIRST PLACE. THE 267TH SIGNAL COMPANY'S HIGH FREQUENCY (HF) RECEIVER STATION LOHNSFELD RECEIVED AN AWARD FROM DCA-EUR IN RECOGNITION FOR BEING SELECTED FIRST RUNNER-UP DCS STATION OF THE YEAR 1985. THE ZWEIRUFCKEN TCC AND LANDSTUHL DCS SITES (327TH SIG CO) RECEIVED 2D SIGNAL BRIGADE CERTIFICATES OF ACHIEVEMENT FOR EXCEEDING THE 2D SIGNAL BRIGADE RELIABILITY THRESHOLD DURING THE SECOND QUARTER.

MAY 1986

CUTOVER TO THE EUROPEAN TELEPHONE SYSTEM (ETS) WAS COMPLETED IN KAISERSLAUTERN BY THE 298TH SIGNAL COMPANY. THE 327TH SIGNAL COMPANY'S LANDSTUHL SATELLITE COMMUNICATIONS (SATCOM) SITE HAD ITS OLD MICROWAVE ANTENNA REMOVED AND SUCCESSFULLY PASSED AN INFORMATION SYSTEM COMMAND (ISC) TECH EVALUATION. AN INFORMATION CENTER WAS CREATED IN THE ADP SVC CTR KLN CONSISTING OF ONE INTEL 30

(298TH SIG CO) WAS VISITED BY RC SCHOTT TO CHECK ON WELFARE OF SOLDIERS AND COMMUNITY SUPPORT. SGT ROY BLOOD, 270TH SIGNAL COMPANY, PLACED FIRST IN THE GRECO-ROMAN WRESTLING AND SECOND PLACE IN FREE-STYLE WRESTLING DURING THE 21ST SUPCOM WRESTLING CHAMPIONSHIPS.

AUGUST 1986

INSTALLATION OF 21CF AND 21JF LINES FROM CROUGHTON, U.K. FOR THE ABILITY TO ACCESS UP TO TWO LEVELS FROM THE PIRMASERS NCA STATION WAS COMPLETED AND THE 267TH SIGNAL COMPANY REMOVED THE OLD PP-40 EQUIPMENT FROM DAHE, FISCHBACH, AND MUENCHWEILER. THE 298TH SIGNAL COMPANY BEGAN WORK ON CONDUIT FOR 6000 ADDITIONAL PAIRS OF CABLE FOR NEW CDS PROJECT. CONSTRUCTION OF A NEW NCA BRFAK ROOM AND ROOF BEGAN AT DONNERSBERG. THE LANDSTUHL SATELLITE SITE RECEIVED THE MATERIAL FOR THE AN/GSC-52 SATELLITE TERMINAL AND ACTIVATED THE USC-28 ANTI-JAM SATELLITE SYSTEM. THE 327TH SIGNAL COMPANY ALSO SUCCESSFULLY UNDERWENT BATTALION/BRIGADE COMMAND INSPECTIONS. ADP SVC CTR KLN INSTALLED AN IBM 3350 TO EXTERNAL SYSTEMS FILES AND TO ACCOMMODATE 80 PER CENT OF FILES STORED IN THE OLD IBM 2314 STORAGE DEVICE; AN IBM 3122 PRINTER AND IBM 3188 CONTROL UNIT WAS ALSO INSTALLED TO REPLACE THE OLD IBM 1403 PRINTERS. THE ENTIRE BATTALION SUCCESSFULLY UNDERWENT A BRIGADE COMMAND INSPECTION WITH ONLY MINOR DEFICIENCIES FOUND. A RECRUITING TEAM FROM THE WHITE HOUSE COMMUNICATIONS AGENCY (WHCA) VISITED THE BATTALION AND FIVE SOLDIERS OF THE 73D SIGNAL BATTALION WERE RECRUITED: SP4 SARAH GIUSTI (HHD), SP4 MELISSA MCCLEARY (267TH), SGT BRIAN PERSTROM (298TH), SP4 TIMOTHY COMSTOCK (267TH), SGT JAMES FROCK (327TH), PFC JOSEPH HAYED (327TH), SP4 CHUCK NIETPAS (270TH), SFC RONALD KAERFAA (HHD), AND SFC WILLIAM MURFIELD (HHD). 1LT WILLIAM TRUMPLER TOOK COMMAND OF HHD FROM 1LT ERIC WINTERS.

SEPTEMBER 1986

THE AUTODIN SWITCHING CENTER (270TH SIG CO) CONTINUED TO EXHIBIT ITS EXCELLENCE BY OPERATING ABOVE THE DCA THRESHOLD OF 99.5 PER CENT FOR THE THIRD CONSECUTIVE YEAR, BEING CHOSEN TO REPRESENT THE 2D SIGNAL BRIGADE FOR THE 5TH SIGNAL COMMAND FY 86 MAINTENANCE AWARD, AND BY RECEIVING HIGH RATINGS DURING A DCA EVALUATION.

INSTALLATION OF THE AN/CSC-52 SATELLITE TERMINAL BEGAR AT THE LANDESTUHL DCS SITE (327TH SIG CO). THE 327TH SIGNAL COMPANY TOC RECEIVED HIGH CONFIRMATION FROM INSPECTORS DURING A TECH EVALUATION AND BEGAN INSTALLATION OF THE 200TH TAMMC KEY SYSTEM. FOUR ENORMOUS ANTENNAS AND TWENTY AS/105 SUPPORTING TOWERS WERE RE-INSTALLED BY THE 267TH SIGNAL COMPANY. WITH THE LOSS OF ITS EQUIPMENT IN JULY, THE 9TH AC DPU WAS PUT ON ADMINISTRATIVE HOLD UNTIL NEW EQUIPMENT ARRIVED AND ITS PERSONNEL WERE ATTACHED TO THE 4TH AC DPU TO AID IN ITS ADDITIONAL MISSION. ITS. FOUNTAIN (DIRECTOR OF INFORMATION SYSTEMS, OFFICE OF THE ASSISTANT SECRETARY OF DEFENSE, COMMAND, CONTROL, COMMUNICATIONS, AND INTELLIGENCE), PG SCHOTT (CDR, 5TH SIGNAL COMMAND), COL WYNE (CDR, 2D SIGNAL BRIGADE), AND LT. GEORGE MASCH (DCA-EUP) VISITED THE DCA STATION IN LANDESTUHL (327TH SIG CO), DCA COMPUTER, PRIMARY TECH CONTROL, AND TRANSMITTER SITE PIRNASEES (267TH SIG CO), THE ASC SWITCH (270TH SIG CO), AND LONNERSBERG (298TH SIG CO). MR. HARRIS, DEPUTY DIRECTOR DCSO DEFENSE COMMUNICATIONS AGENCY, VISITED LONNERSBERG. LANDESTUHL SATELLITE STATION RECEIVED A VISIT FROM MR. BILL HARRISON OF DCA WASHINGTON. THE BATTALION AND SFC PAUL HULL, SENIOR RETENTION NCO WERE ONCE AGAIN RECOGNIZED BY CINCPAC FOR EXCEEDING ITS RETENTION GOALS. 1LT JEFFREY PILLS ASSUMED COMMAND OF THE THE 7TH AC DPU FROM MAJ CARROLL P. WHEELFON. DURING THE FINAL PHASE OF PREPARATION FOR PHASE IV OF INA, THE BATTALION UNDERWENT A 5TH SIGNAL COMMAND ANNUAL GENERAL INSPECTION, WHICH FOUND THE 73D SIGNAL BATTALION MAINTAINING ITS MOTTO OF

TRIFE - PROFESSIONALISM - PERFORMANCE!